

MSP[®] TECHNOLOGY IS THE PREMIER DEHUMIDIFICATION TECHNOLOGY FOR INDUSTRIAL DRYING APPLICATIONS

Leather to Lumber, Fish to Fruits, and more.



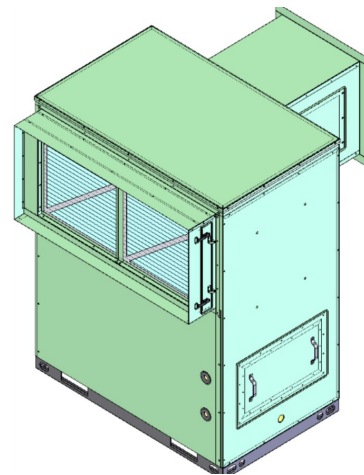
By controlling to specific humidity and temperature conditions, the drying process can be optimized to avoid bottlenecks in manufacturing and shipping finished products.

MSP[®] Technology provides an ideal drying environment because it is capable of precisely controlling humidity and drying time.

When drying time is too long, there is a risk of mold and rot and, when too short, product quality can be affected.

▶ Key Benefits & Features

- **Control Drying Time:** Control humidity and drying time in an industrial environment
- **Reliable:** Simple technology, no moving parts, low maintenance
- **Low Maintenance:** Direct drive fans have no belts to adjust
- **High Performance:** Pre-cools incoming air, dramatically reducing operating cost.
- **Sanitary:** Full Draining, no standing water
- **Fast return on investment:** Lower capital costs, competitively priced



MSP[®] Industrial Drying Dehumidifier

Inside the unit is an MSP[®] Wrap-Around Plate Dehumidifying Coil using either chilled water or refrigerant. Direct drive fans have automatic speed control.

ABOUT MSP® DEHUMIDIFICATION TECHNOLOGY

MSP® Dehumidification Technology is offered in a wide range of super-efficient, industrial grade dehumidification equipment under the MSP Technology brand, and others. Designed specifically for green applications, MSP products are engineered for high performance, guaranteed.

SOME APPLICATIONS FOR MSP TECHNOLOGY

CONDENSATION CONTROL

Supermarkets • Indoor Ice Rinks • Water Treatment
Wastewater Treatment Facilities

INDUSTRIAL DRYING

Leather • Food Drying • Paper Production
Investment Casting • Lumber

PRESERVATION

Dry Storage Warehouses • Paper Storage
Museums • Archives • Libraries • Film Storage

EXPLOSIVE & FLAMMABLE ENVIRONMENTS

Paint Spray Booths • Military • Munitions Storage

CRITICAL ENVIRONMENT

Semiconductor Manufacturing • Pharmaceuticals
Health Care • Laboratories • Clean Rooms

INDOOR FARMING

Produce • Medical Marijuana

ATMOSPHERIC WATER GENERATION

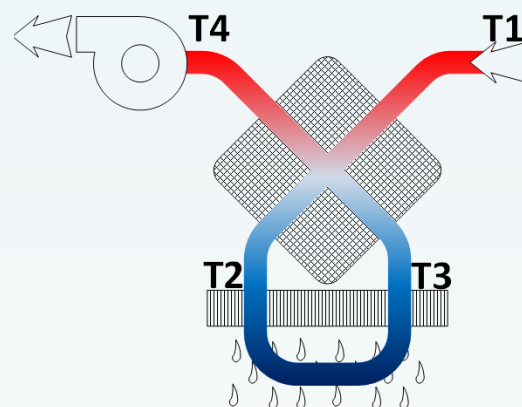
OUR CLIENTS INCLUDE



and many more...

HOW IT WORKS

MSP® DEHUMIDIFICATION AND ATMOSPHERIC WATER GENERATION TECHNOLOGY



STEP 1 Warm, humid incoming air (T1) flows through the first pass of the plate type air-to-air heat exchangers for pre-cooling and initial condensing and water production. This is accomplished by regenerative thermal exchange with the cooler air that is leaving the heat exchanger. (see step 3)

Advantage: Pre-cooling, condensing and water production by regenerative thermal exchange are "free" and involve no additional equipment.

STEP 2 Pre-cooled air (T2) then passes twice over conventional cooling coils for final cooling, condensing and water production

Advantage: Pre-conditioned air can be treated much more efficiently, using smaller compressors that require as little as one-half the power.

STEP 3 The cool, now dry air (T3) is then drawn back through the opposite side of the heat exchanger where it absorbs some heat from incoming air (see step 1) and continues on to possibly serve a secondary purpose.

Advantage: No heating coil—and no energy penalty—needed to reheat the dehumidified air before it enters the conditioned environment.